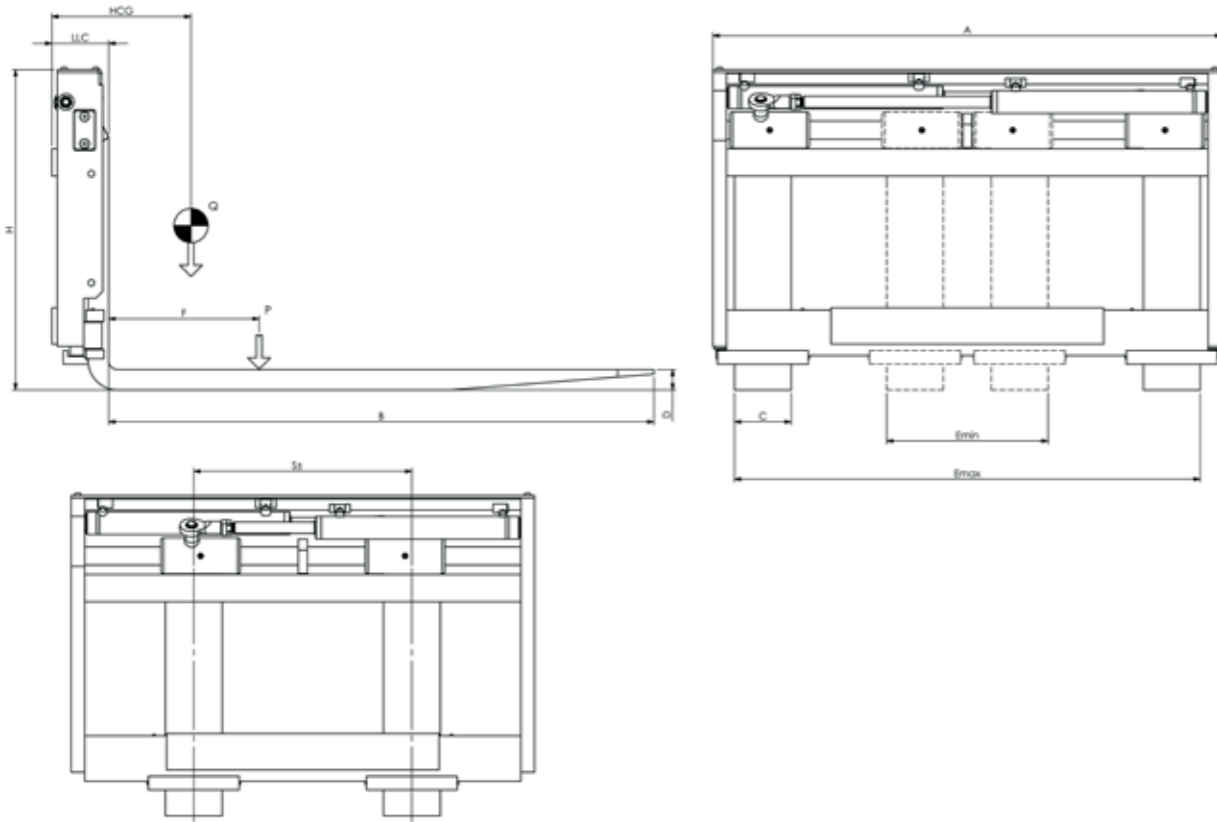


# PMC 1

- Capacity 1800–4500 kg
- Integrated fork-positioning with sideshift
- Cylinders on top for good visibility
- Capacity, width, forks and opening ranges can change to customer request
- Fits both warehouse and counterbalance forklift trucks



Capacity (P)	Load center (F)	Width (A)	Unit dimensions						Weight (Q*)	Article no. PMC Name-Width-Forks Intergration	Description Model-Capacity-Forks CxDxB
			H*	LLC	HCG	Emin*	Emax*	Sideshift ±(S)			
1800	500	920			251		825	118	222	55001-XXXX-XX-XX	PMC1-1800-100x40x1200
		970			248		875	130	225		
		1020			245		925	143	228		
		1070	665	120	242	355	975	155	231		
		1120			239		1025	168	234		
		1170			236		1075	180	237		
		1220			233		1125	193	240		
2500	500	850			242		755	100	213	55002-XXXX-XX-XX	PMC1-2500-100x40x1200
		880			253		785	108	215		
		1020			232		925	143	225		
		1070			230		975	155	228		
		1120	705	120	228	355	1025	168	231		
		1170			226		1075	180	234		
		1220			224		1125	193	237		
		1270			222		1175	205	240		
		1320			220		1225	218	243		
3000	600	850			277		755	100	253	55003-XXXX-XX-XX	PMC1-3000-125x45x1200
		880			276		785	108	255		
		1070			265		975	155	268		
		1120			262		1025	168	271		
		1170	705	125	259	355	1075	180	274		
		1220			256		1125	193	277		
		1270			253		1175	205	280		
		1320			250		1225	218	283		
		3500	600	1070			266		975		
1120					263		1025	168	300		
1170					260		1075	180	305		
1220					257		1125	193	310		
1270					254		1175	205	315		
1320					251		1225	218	320		
1370	705			130	248	355	1275	230	325		
1420					245		1325	243	330		
1470					242		1375	255	335		
1520					239		1425	268	340		
1570					236		1475	280	345		
1620					233		1525	293	350		
4000	600	1200			237		1110	188	368	55005-XXXX-XX-XX	PMC1-4000-125x50x1200
		1300			231		1210	213	379		
		1400			225		1310	236	390		
		1500	800	145	219	360	1410	263	401		
		1600			213		1510	288	412		
		1700			207		1610	313	423		
		1800			201		1710	338	434		
4500	600	1200			250		1110	188	397	55006-XXXX-XX-XX	PMC1-4500-150x50x1200
		1300			245		1210	213	409		
		1400			240		1310	236	421		
		1500			235		1410	263	433		
		1600	800	150	230	390	1510	288	445		
		1700			225		1610	313	457		
		1800			220		1710	338	469		
		1900			215		1810	363	481		
		2000			210		1910	388	493		

Q\* Weights are estimated and can differ between customer request.  
H\* Height is with the ISO 2328 Class A mounting  
Options: Capacity, width, forks and opening ranges can change to customer request.  
Emin\* and Emax\* in the table only shows the standard.