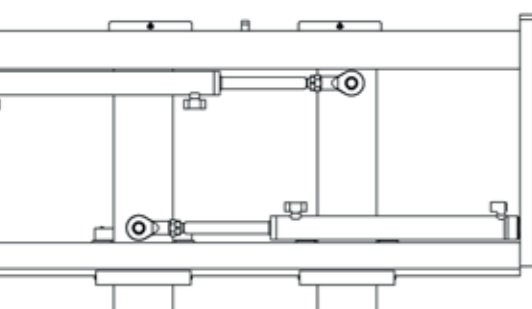
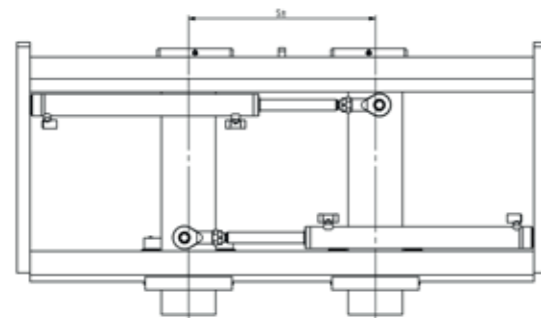
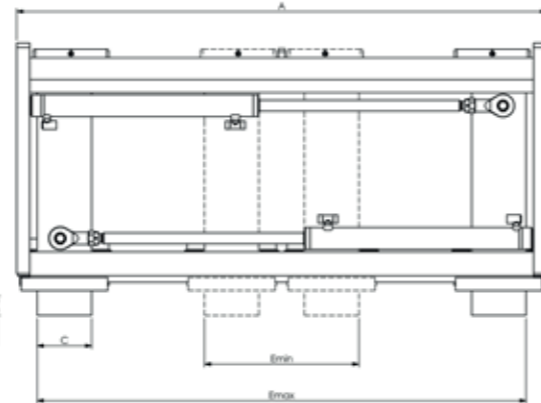
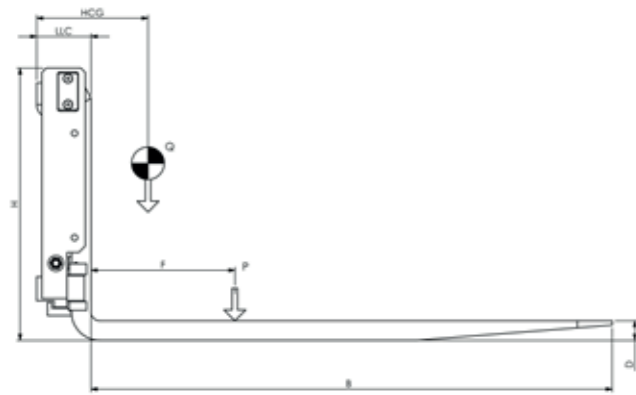


PMC 2

- Capacity 1800–9000 kg
- Integrated fork-positioning with sideshift
- Good visibility both through and over
- Pin-type with maximum opening range
- Capacity, width, forks and opening ranges can change to customer request
- Fits counterbalance forklift trucks



Cylinder placement for PMC 2 capacity 1800-3000

Cylinder placement for PMC 2 capacity 3500-9000

Capacity (P)	Load center (F)	Width (A)	Unit dimensions						Weight (Q)	Article no. PMC Name-Width-Forks Intergration	Description Model-Capacity-Forks
			H*	LLC	HCG	Emin*	Emax*	Sideshift ±(S)			
1800	500	920	586	120	267	355	825	115	189	55007-XXXX-XX-XX	PMC2-1800-100x40x1200
		970			263		875	128	192		
		1020			259		925	141	195		
		1070			255		975	154	198		
		1120			251		1025	167	201		
		1170			247		1075	180	204		
1220	243	1125	193	207							
2000	500	920	592	120	258	355	825	115	194	55070-XXXX-XX-XX	PMC2-2000-100x40x1200
		970			255		875	128	197		
		1020			252		925	141	200		
		1070			249		975	154	203		
		1120			246		1025	167	206		
		1170			243		1075	180	209		
1220	241	1125	193	212							
2500	500	1020	626	120	248	355	925	141	206	55008-XXXX-XX-XX	PMC2-2500-100x40x1200
		1070			245		975	154	209		
		1120			242		1025	167	212		
		1170			239		1075	180	215		
		1220			236		1125	193	218		
		1270			233		1175	206	221		
1320	230	1225	219	224							
3000	600	1020	626	125	283	355	925	141	247	55009-XXXX-XX-XX	PMC2-3000-125x45x1200
		1070			280		975	154	250		
		1120			277		1025	167	253		
		1170			274		1075	180	256		
		1220			271		1125	193	259		
		1270			268		1175	206	262		
1320	265	1225	219	265							
3500	600	1070	626	135	278	355	975	154	283	55010-XXXX-XX-XX	PMC2-3500-125x50x1200
		1120			275		1025	167	287		
		1170			272		1075	180	291		
		1220			269		1125	193	295		
		1270			266		1175	206	299		
		1320			263		1225	219	303		
		1370			260		1275	232	307		
		1420			257		1325	245	311		
		1470			254		1375	258	315		
		1520			251		1425	271	319		
		1570			248		1475	284	323		
		1620			245		1525	297	327		
4000	600	1200	751	140	212	360	1110	188	331	55011-XXXX-XX-XX	PMC2-4000-125x50x1200
		1300			207		1210	213	339		
		1400			202		1310	238	347		
		1500			197		1410	263	355		
		1600			192		1510	288	363		
		1700			187		1610	313	371		
1800	182	1710	338	379							
4500	600	1200	751	140	252	390	1110	188	384	55012-XXXX-XX-XX	PMC2-4500-150x50x1200
		1300			247		1210	213	394		
		1400			242		1310	238	404		
		1500			237		1410	263	414		
		1600			232		1510	288	424		
		1700			227		1610	313	434		
1800	222	1710	338	444							
1900	217	1810	363	454							
2000	212	1910	388	464							
5000	600	1200	802	150	251	390	1115	188	405	55013-XXXX-XX-XX	PMC2-5000-150x50x1200
		1300			246		1215	213	417		
		1400			241		1315	238	429		
		1500			236		1415	263	441		
		1600			231		1515	288	453		
		1700			226		1615	313	465		
1800	221	1715	338	477							
1900	216	1815	363	489							
2000	211	1915	388	501							
7000	600	1600	862	165	225	490	1490	250	580	55014-XXXX-XX-XX	PMC2-7000-150x60x1200
		1700			221		1590	275	597		
		1800			217		1690	300	614		
		1900			213		1790	325	631		
		2000			209		1890	350	648		
		2100			205		1990	375	665		
2200	201	2090	400	682							
2300	197	2190	425	699							
2400	193	2290	450	716							
9000	900	1800	1033	175	266	490	1690	300	747	55084-XXXX-XX-XX	PMC2-9000-150x70x1200
		2000			258		1890	350	780		
		2200			250		2090	400	813		
		2400			242		2290	450	846		
		2600			234		2490	500	879		
		2800			226		2690	550	912		

Q* Weights are estimated and can differ between customer request.
H* Height is with the ISO 2328 Class A mounting

Options: Capacity, width, forks and opening ranges can change to customer request.
Emin* and Emax* in the table only shows the standard.