

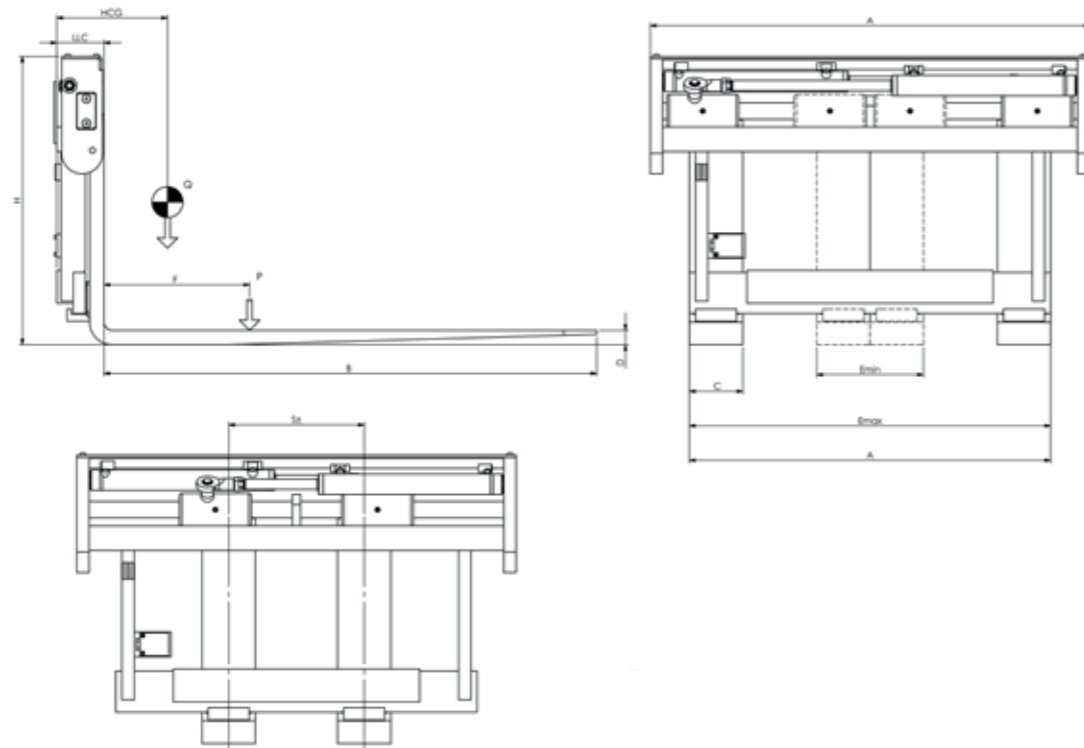
# PMC 7

- Capacity 2500–3000 kg
- Integrated fork-positioning with sideshift
- For maximum opening range between support legs of forklift reach trucks
- Fits warehouse forklift trucks
- Capacity, width, forks and opening ranges can be changed to customer request



3000	500	1070/880	702	125	268	260	880	155	263	55030-XXXX-XX-XX	PMC7-3000-125x45x1200
------	-----	----------	-----	-----	-----	-----	-----	-----	-----	------------------	-----------------------

\*Hydraulic extension forks , capacity can change depending on forks  
 HCG is for retracted / extended  
 Q\* Weights are estimated and can differ between customer request.  
 H\* Height is with the ISO 2328 Class A mounting  
 Options: Capacity , width , forks and opening rages can change to customer request.  
 Emin\* and Emax\* in the table only shows the standard.



# PMC 8

- Capacity 2500-3000 kg
- Integrated fork positioning with sideshift
- With sideshift over centre
- For maximum opening range between support legs of forklift reach trucks
- Fits warehouse forklift trucks
- Capacity, width, forks and opening ranges can be changed to customer request



Capacity (P)	Load center (F)	Width (A)	Unit dimensions							Weight (Q)	Article no.	Description
			H*	LLC	HCG*	Emin*	Emax*	Sideshift, End to end (S)	Over centrum ± (OC)			
2500	500	1070/880	732	145	207	260	880	415	105	258	55035-XXXX-XX-XX	PMC8-2500-130x35x1200
2500*	500*	1070/880	732	150	230/272	256	880	415	105	272	55036-XXXX-XX-XX	PMC8 - 2500 - *1200/0800
3000	500	1070/880	732	155	247	260	880	415	105	292	55035-XXXX-XX-XX	PMC8-3000-125x45x1200

\*Hydraulic extension forks , capacity can change depending on forks  
 HCG is for retracted / extended  
 Q\* Weights are estimated and can differ between customer request.  
 H\* Height is with the ISO 2328 Class A mounting  
 Options: Capacity , width , forks and opening rages can change to customer request.  
 Emin\* and Emax\* in the table only shows the standard

