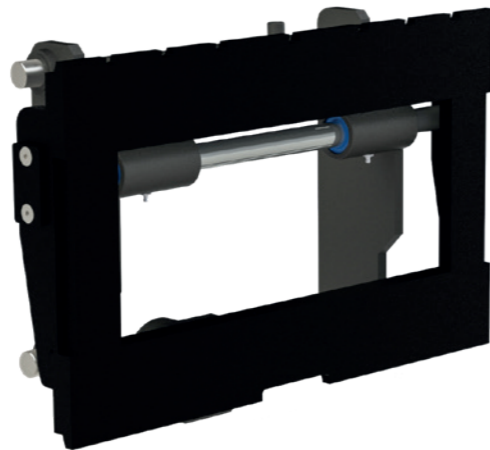
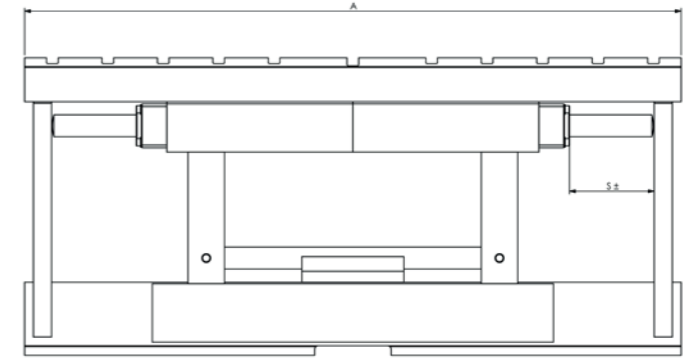


PMC 20

- ISO Class: ISO1-3
- ISO frame with integrated slide shift
- According to ISO 2328
- Integrated tilt as option
- Width and side shift stroke can be changed to customer request
- Hook on or integrated version

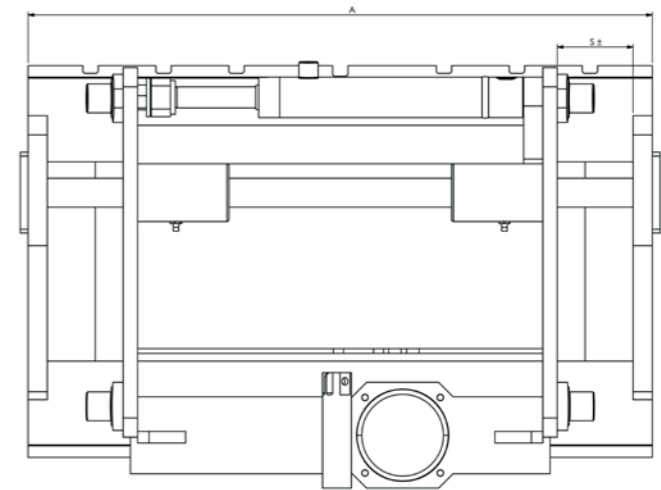
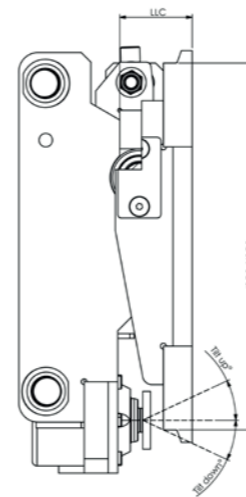


Standard version



ISO Class	Capacity	Load center	Width (A)	LLC	Side shift (S)	Article number	Description
ISO 1-2	Up to 2500 kg	500	650-1170	65	100	50001-XXXX-XXX	PMC20 – ISO 2
ISO 3	Up to 4999 kg	600	650-1500	75	100	50002-XXXX-XXX	PMC20 – ISO 3

Option: integrated tilt version



ISO Class	Capacity	Load center	Width (A)	LLC	Side shift (S)	Tilt	Article number	Description
ISO 2	Up to 2500 kg	500	650-1170	75	100	+4°/-1°	50001-XXXX-XXX-XXX	PMC20 – ISO 2
ISO 3	Up to 4999 kg	600	650-1500	85	100	+4°/-1°	50002-XXXX-XXX-XXX	PMC20 – ISO 3